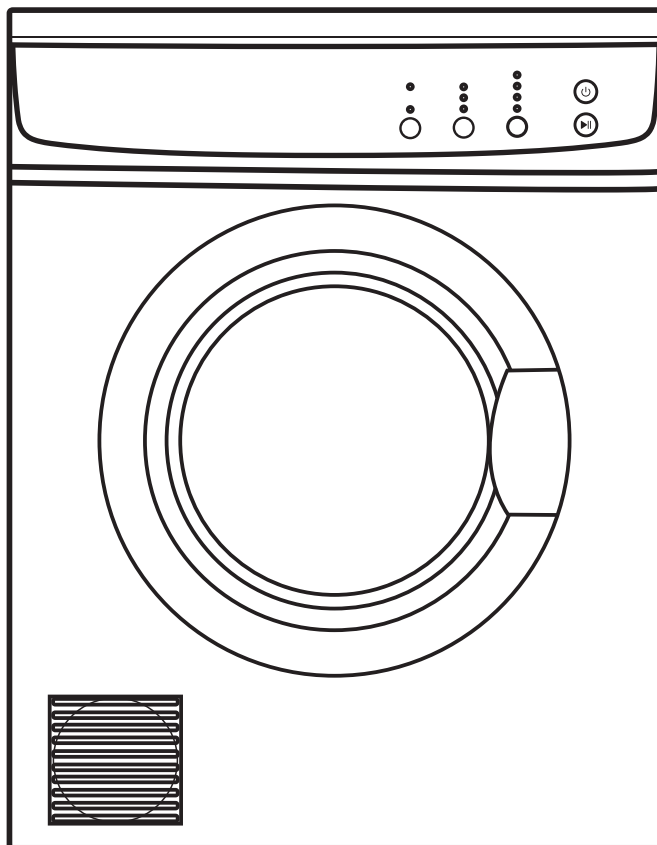


LIVING & CO[®]

7kg CLOTHES DRYER



User Manual

AFTER SALES SUPPORT
☎ (NZ) 0800 422 274

TABLE OF CONTENTS

1. Important Safety Instructions	3
2. Product Overview	9
3. Installation	11
4. Getting Started	17
5. Product Use	18
6. Troubleshooting	22
7. Care and Cleaning	24
8. Technical Data	25
9. Notice	25

1. Important Safety Instructions

READ CAREFULLY AND KEEP FOR FUTURE REFERENCE
Read this manual thoroughly before first use. The safety precautions enclosed herein reduce the risk of fire, electric shock, and injury when correctly followed. Keep this manual in a safe place for future reference, along with any warranty information, proof of purchase, and the packaging carton. If applicable, pass these instructions on to the next owner of the appliance.

Always follow basic safety precautions and hazard prevention measures when using an electrical appliance, including the following:

1.1 Electrical safety and cord handling

- **Voltage:** Ensure your outlet voltage and circuit frequency correspond to the voltage indicated on the appliance's rating label and that your outlet socket is properly earthed. If you're unsure, have a qualified specialist check the socket. Do not use the appliance unless you are sure.
- **Separate the circuit:** We strongly recommend you connect the appliance to a separate circuit with no other connections. This provides the best performance and prevents overloading the house wiring circuits, reducing the risk of fire hazard from overheating.
- **Electrical hazard:** Do not insert any objects into any gaps in the appliance.
- **Do not use an extension cord:** Do not use this appliance with a power adaptor or extension cord.
CAUTION: If such an adaptor cord must be used, they must be positioned outside of possible splashing or moisture ingress.
- **Protect the power cord** Do not twist or damage the cord. Position the cord so that no will accidentally step or place anything on or against it. Do not run the cord under floor coverings. Position the cord away from commonly travelled areas to avoid tripping hazards.

- **Damaged appliance:** Do not use the appliance after it malfunctions or has been dropped or damaged. In case of damage, contact our after sales support centre for advice.
- **Damaged cord:** If the power supply cord is damaged, do not attempt to change it yourself. A damaged cord or plug must be replaced by the manufacturer or a qualified specialist to avoid hazards.
- **Disconnect the plug:** Unplug the appliance from the power supply after use and before cleaning, servicing, or moving the appliance. To unplug the appliance, turn it off, switch off the power outlet, then remove the plug from the power outlet. Grip the plug when disconnecting; do not pull on the cord. After disconnecting the appliance, wait at least two minutes before turning it back on again.
- **RCD:** Unless your home is already fitted with a residual current device (safety switch), we recommend installing an RCD with a rated residual operating current of no more than 30mA to provide additional safety when using electrical appliances. Consult your electrician for professional advice.

1.2 Usage Conditions and Restrictions

- **Domestic use only:** This appliance is intended for household use only. It is not suitable for commercial, industrial, or trade use. Do not use this appliance for anything other than its intended purpose (drying domestic quantities of items). Only use the appliance in accordance with this manual.
- **Indoor use only:** Do not use the appliance outdoors.
- **FIRE HAZARD - LINT CAN BE FLAMMABLE!:** Always ensure the lint filter has been installed and cleaned before and after each use. Wipe away any lint that has accumulated in and around the dryer regularly. Failure to do so may result in a build up of lint in the internal enclosure, which may lead to increased risk of overheating and/or ignition.

- **Usage restriction:** This appliance is not intended for use by persons (including children) with reduced physical, sensory or mental capabilities lack of experience and knowledge, unless they have been given supervision or instruction concerning the use of the appliance by a person responsible for their safety.
- **Children:** Supervise children to ensure they do not play with the appliance. Close supervision is necessary when any appliance is used by or near children.
- **Installation requirements:** Do not install the appliance in a tight fitting cabinet. Do not install the appliance near heat sources such as radiators, heaters, air ducts, or direct sunlight. If the appliance is not wall-mounted, place it on a flat, firm, dry, and stable floor in a well ventilated area. Use the appliance's adjustable legs to assist in levelling if required. Do not place the appliance on any soft material such as foam or plastic. For more installation advice, refer to pages 11–16 of this manual.
- **Ventilation:** To reduce risk of fire from overheating, do not block any ventilation openings. Ensure that vents are not covered by newspapers, tablecloths, curtains, carpet, etc.
- Before use: Make sure to remove the transport packaging at the rear of the appliance.
- **WARNING:** Before loading the appliance, always make sure that no pets or children have climbed into it. Do not overload the appliance (max dry capacity = 7kg).
- **Tumble drying suitability:** Only load suitable items into the appliance. Consult the table on the opposite page for a list of items and materials that are unsuitable for the appliance and may pose a fire risk.
- **Preparation:** Make sure all pockets of items to be dried are empty. Hard and sharp objects such as coins, safety pins, bra wires, nails, screws, lighters, and matches must be removed as they can cause extensive damage to the appliance.
- **WARNING:** Any damage or malfunction resulting from external objects will void your warranty and may require expensive repairs.

- **No open flames:** Do not place open flame sources such as candles on or in the dryer.
- **Hot surface:** The appliance's door window may become hot after a long drying cycle. Always ensure children are kept away from the appliance. Do not store flammable or meltable plastic, paper, or clothing on top of the dryer during operation.
- **Cool down:** The final part of a dryer cycle occurs without heat (the cool down cycle) to ensure that items are left at a temperature that will not damage them.
- **WARNING:** Never stop the appliance before the end of the drying cycle unless all items are removed quickly and spread out so heat is dissipated.
- **Subsequent cycles:** After turning off the appliance power supply, wait at least two minutes before turning it back on again.
- **Servicing/repairs:** Excluding the cleanable filters, this appliance contains no user-serviceable components. Do not attempt to open, disassemble, or repair the appliance yourself; only have it serviced by qualified personnel. Do not tilt or turn the appliance sideways during use.
- **Do not use a timer:** In order to avoid hazards from inadvertent resetting of the thermal cut-out, this appliance must not be supplied through an external switching device (such as a timer) or connected to a circuit that is regularly switched on and off by the utility.
- **Misuse:** Improper use or installation may result in the risk of fire, electric shock, and/or injury. We accept no liability for any damages caused by improper use, handling, or by any other non-compliance with the instructions in this manual.

CAUTION!

The items listed below are UNSUITABLE for drying. These items may cause the appliance to catch fire or extensive damage. DO NOT place them in the appliance.

- Items containing foam rubber (also known as latex foam) or similarly textured rubber-like materials — when heated, these materials may spontaneously combust and cause a fire.
- Items that have been spotted or soaked with cooking oil or highly flammable substances — these substances constitute a fire hazard. Highly flammable substances used in domestic environments — including acetone, alcohol, petrol, kerosene, some stain removers, dry-cleaning solvents, turpentine, waxes, wax removers, and some haircare products. (This also includes items that have previously been cleaned or spotted with dry-cleaning solvents or other flammable or explosive substances.)
- If one must dry fabrics that contain vegetable or cooking oil, or have otherwise been contaminated by haircare products, first wash the items in hot water with additional detergent — this will reduce, but not eliminate, the fire hazard. The "cool down" cycle of a clothes dryer should be used to reduce the temperature of dried items. Dried items should not be removed from the appliance dryer or piled or stacked while hot.
- Undergarments that contain metallic reinforcements (such as underwire bras) — these may come loose during the drying process and damage the appliance.
- Plastic items such as shower caps or waterproof baby bibs.
- Rubber-backed items, clothes fitted with foam rubber pads, pillows, gumboots, and rubber-coated tennis shoes.
- Fabric softeners or similar products, unless specifically recommended by the product manufacturer for use in a dryer to counteract static electricity.

CAUTION!

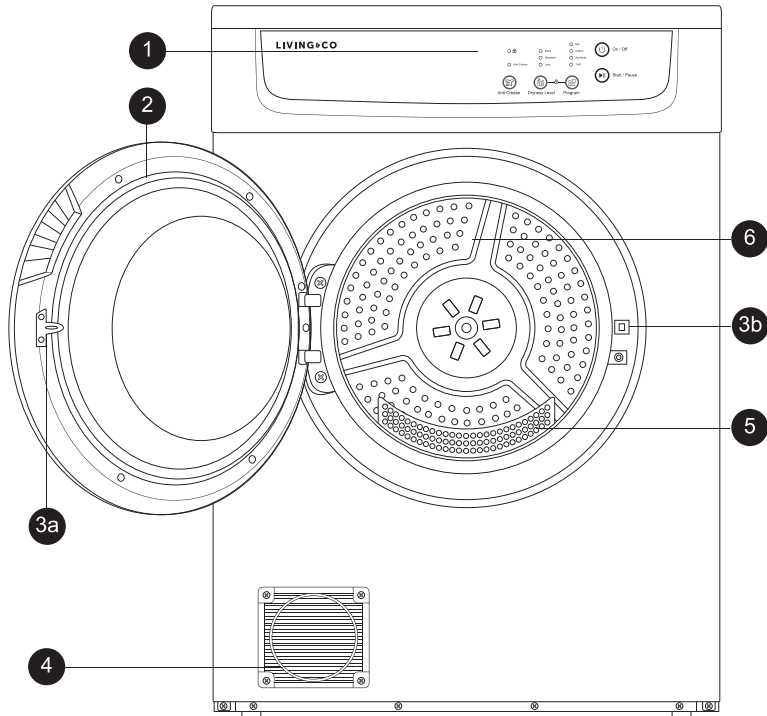
- Do not use the appliance if industrial chemicals have been used for cleaning.
- Do not dry unwashed items in the appliance.
- Do not allow lint to accumulate around the appliance. Clean the lint trap after every use.
- Adequate ventilation must be provided to avoid the backflow of gases into the room from appliances burning other fuels, including open fires.



WARNING: Risk of fire

This symbol means you must take care of oil-affected items that can ignite spontaneously, especially when exposed to heat, such as heat generated from a dryer. The items become warm, causing an oxidation reaction in the oil. Oxidation creates heat, which, if it cannot escape, heats the items to a temperature hot enough to catch fire. Piling, stacking, or storing oil-affected items can prevent heat from escaping and create a fire hazard.

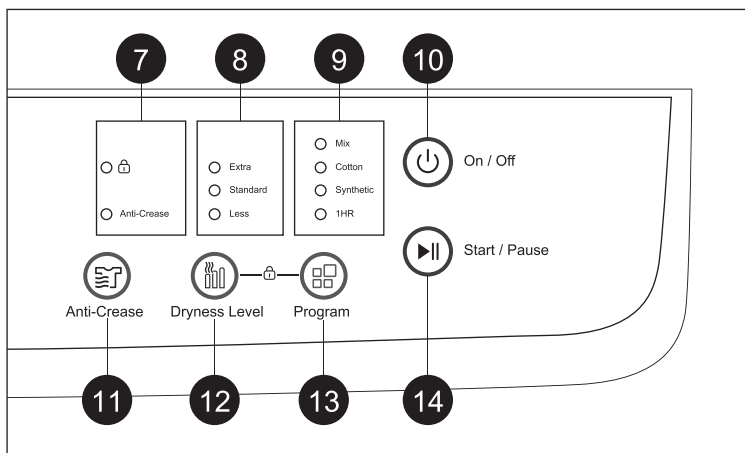
2. Product Overview



- 1 Control panel
- 2 Door
- 3a Door latch
- 3b Door locking mechanism
- 4 Front outlet vent flange
- 5 Lint filter
- 6 Drying drum

NOTE: Due to continued product improvement, images and illustrations in this manual may vary slightly from the product purchased. All images in this manual are for reference purposes only. Parts are not necessarily pictured to scale.

2.1 Control panel



- 7 Child safety lock and Anti-Crease indicators
- 8 Dryness level indicators
- 9 Program indicators
- 10 On/Off button
- 11 ANTI-CREASE button
- 12 DRYNESS level button
- 13 PROGRAM button
- 14 START/PAUSE button

Wall-mounting kit (not shown)

2x Hanging brackets

4x Expansion bolts

2x Spacers

1x Positioning paper (template)

1x Extra printed control panel sticker (for upside down use)

Documentation (not shown)

User Manual

3. Installation

3.1 Unpacking

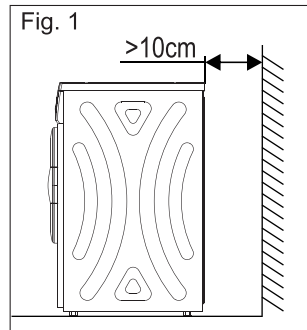
- This product has been packaged to protect it against transportation damage. Remove all packaging materials from the inside and outside of the appliance.
- Keep the original packaging carton and materials in a safe place. It will help prevent any damage if the product needs to be transported in the future, and you can use it to store the appliance when it is not in use. In the event that the carton is to be disposed of, please recycle all packaging materials where possible.
- Plastic wrapping can be a suffocation hazard for babies and young children, so ensure all packaging materials are out of their reach and disposed of safely.
- Inspect the cord and plug for damage or wear before each use. Do not use the appliance if the appliance or its cord have been damaged or are not working properly. In case of damage, contact our after sales support centre.
- Read all instructions in this manual and make sure you understand all warnings.
- Wipe the inside of the drum with a damp cloth to remove any dust that may have built up from transport.

3.2 Important notes regarding installation

- The appliance can be installed freestanding (on floor level), wall-mounted, or wall-mounted upside down. If you wish to install the appliance wall-mounted, follow the instructions on the following pages. Wall-mounting the appliance upside down will bring the control panel within easier reach — use the extra control panel label (supplied) to ensure the buttons are the right way up.
- Do NOT install the appliance:
 - Behind a lockable door, sliding door, or a door with a hinge on the opposite side of the appliance in such a way that the appliance's door cannot be opened.
 - In a tight fitting cabinet.
 - In an area exposed to temperatures below freezing, exposed to water, or exposed weather. Installation of the appliance in such areas may cause permanent damage and invalidate the warranty.
 - In an area where gas or flammable substances are used.
- The plug must be accessible after installation.
- Ensure that all electrical connections are made by qualified personnel. Observe all manual instructions and local safety regulations.
- Place the appliance in a dry, well ventilated area, away from heat and direct sunlight.
- Exhaust air must not be discharged into a flue used for exhausting fumes from appliances burning gas or other fuels.
- **CAUTION: HEAVY!** Ensure you have at least one helper to move and install the appliance.

3.3 Freestanding (floor level) installation

- If you want to use the appliance on the floor level, place it in a ventilated area.
- Ensure that the floor surface is firm, flat, dry, and stable, and that there is an appropriate electrical outlet on a nearby wall. Do not place the appliance on soft materials such as foam, plastic, or carpet, as this will block air intake.
- Ensure that there is at least 10cm of clear space between the dryer and any wall(s) (Fig. 1).
- For ventilation purposes, we recommend that there are no obstacles in front of the dryer within a range of 1.5m.
- The appliance must be level to ensure proper operation. Use a spirit level to ensure the appliance is level. If your floor is slightly uneven, adjust height using the adjustable levelling feet at the bottom of the appliance.
- Do not place the back of the appliance near curtains or similar items that can get caught up in the exhaust air.



3.4 Wall-mounted installation

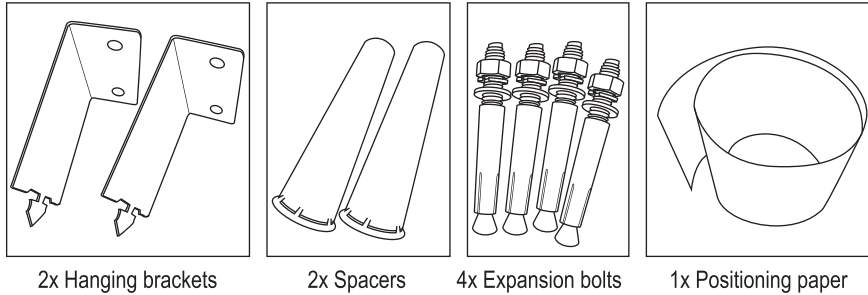
- IMPORTANT!**
- Only mount on a structurally sound wall area that is strong enough to hold the weight of the appliance. If you are unsure if installation will be structurally sound, consult a specialist.
 - The supplied installation hardware (and the following instructions) are for mounting of the appliance onto a solid (masonry) wall. Obtain advice from a specialist (a builder or similarly qualified person) if you intend to mount the appliance onto any other type of wall.
 - Allow at least 5cm space between the top of the dryer and the ceiling.
 - If you are mounting the appliance above a washing machine, leave sufficient room to open the washer lid.
- NOTE:** This appliance is NOT suitable for placement directly on top of a washing machine.
- Ensure the appliance is unplugged from the power supply before installation.
 - If the appliance has been in previous operation whilst floor mounted (>1 year) and you later decide to invert and wall mount it, we strongly recommend that you have a service technician check and clean the inside of the enclosure to remove any dust/lint that may have formed on its internal surfaces. Inverting the unit after a long period of use has the potential fire risk of disturbing dust/lint that may have formed, which may later impinge on heated components if the orientation is changed.

3.5 Step-by-step wall-mount instructions

Step 1: Parts required

- Before starting, confirm that you have all the components from the wall-mounting kit (Fig. 2), plus one extra printed control panel sticker (for use if mounting upside down).

Fig. 2



- Confirm that you have the following required tools:
 - Drill (with a $\text{Ø}14\text{mm}$ drill bit)
 - Phillips-head screwdriver
 - Another person to help you lift the appliance onto the wall.

Step 2: Preparation

- This appliance must only be installed on a solid wall. The distance in front of the wall must exceed 1.5m.
- If you intend to wall-mount the appliance upside down, take the additional printed control panel (supplied) and affix it over the existing panel so that button displays are the right way up.

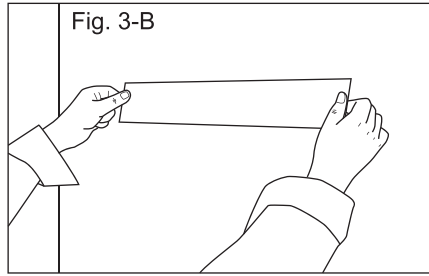
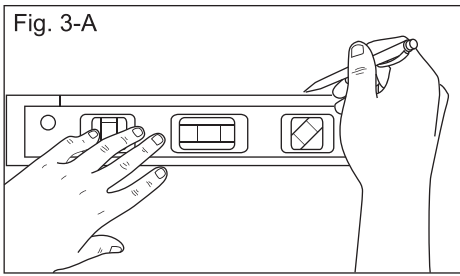
Step 3: Wall preparation

- Determine the appliance's position on the wall and, using a spirit level, draw a level line the length of the positioning paper (Fig. 3-A).

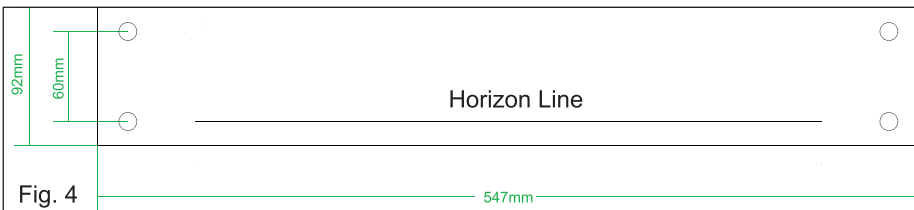
NOTE: Ensure the screw holes are in an appropriate position: they must not overlap with any power outlets, cabling, or taps.

The bottom edge of the positioning paper must be at least $>45\text{cm}$ above floor level.

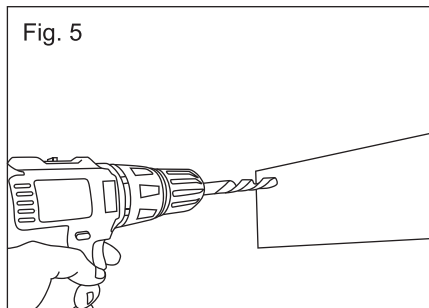
- Remove the adhesive paper from the back of the position paper and paste the paper horizontally to the wall (Fig. 3-B).



- Using a $\varnothing 14\text{mm}$ drill bit, drill four holes for the expansion bolts according to the drawing on the positioning paper (Fig. 4). The hole depth must be 60mm.

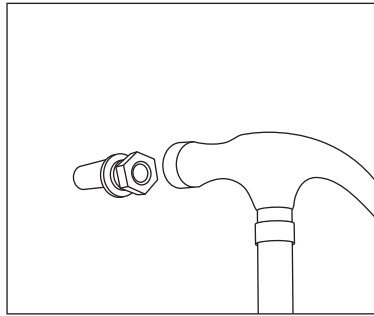
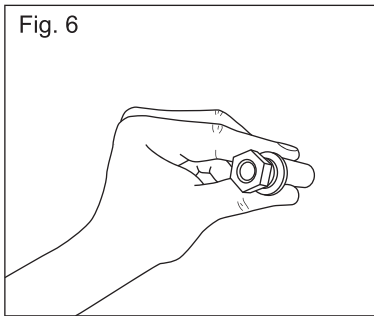


NOTE: If you are installing the appliance on a tiled wall, use a tile-specific $\varnothing 14\text{mm}$ drill bit (Fig. 5).

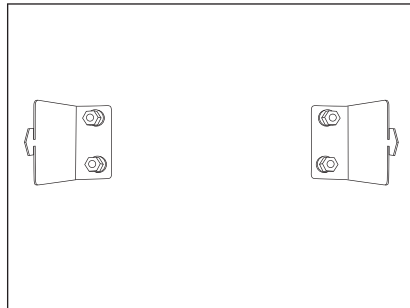
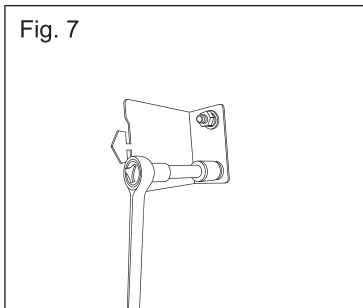


Step 4: Bracket installation

- Attach the brackets to the wall using the four expansion bolts. The expansion bolts consist of a bolt, an expansion tube, a nut, and washers.
 - a. Insert a bolt and expansion tube into each of the four drilled holes, then thread a nut onto the end of each bolt. To prevent the thread being damaged, do not expose the end-thread of the bolt. Next, hammer the four bolts into the holes (Fig. 6).



- b. After the bolts are hammered into the wall, remove the nut and washers. Attach the hanging brackets to the bolts, then put the washers back on: first the flat washer, then the spring washer, then the nut.
- c. Tighten the brackets with a socket or a wrench (Fig. 7).



Step 5: Attaching the spacers

- Place the unpacked appliance on the floor and unscrew the two screws behind it with a Phillips-head screwdriver (Fig. 8).

NOTE: If installing the appliance upside down, remove the top screws. If wall-mounting the appliance, remove the bottom screws (Fig. 8).

- Insert the screws through the holes in the spacers, then fasten them into the original screw holes.

Step 6: Hanging the appliance on a wall

- With assistance, mount the appliance onto the wall brackets. Lift the appliance and align the slots at the back with the wall brackets. Next, carefully hang the appliance onto the brackets (Fig. 9).

Fig. 8

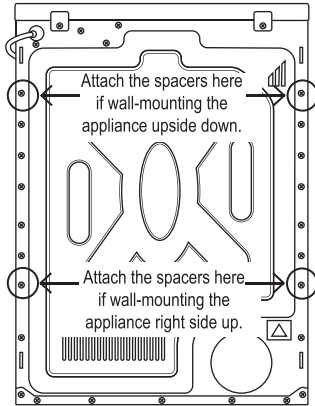
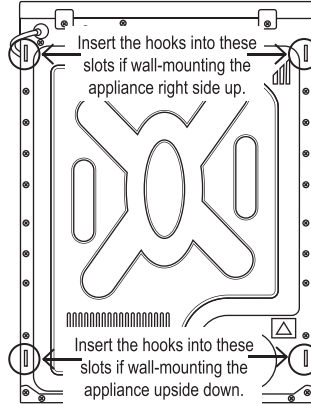
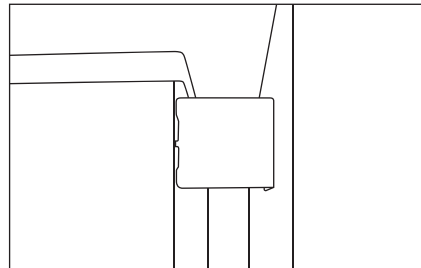
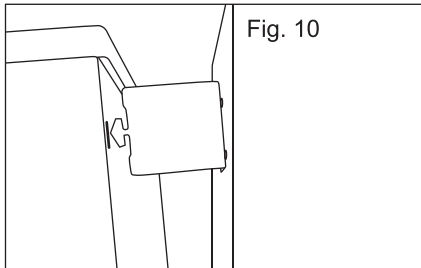


Fig. 9



- Ensure the bracket hooks are firmly inserted into the slots (Fig. 10).



3.6 Electrical Connection

- Once the appliance is properly installed, plug the electrical cord into an appropriately earthed three-pin wall socket, switch the power on, then test the appliance (see page 18 for use instructions).

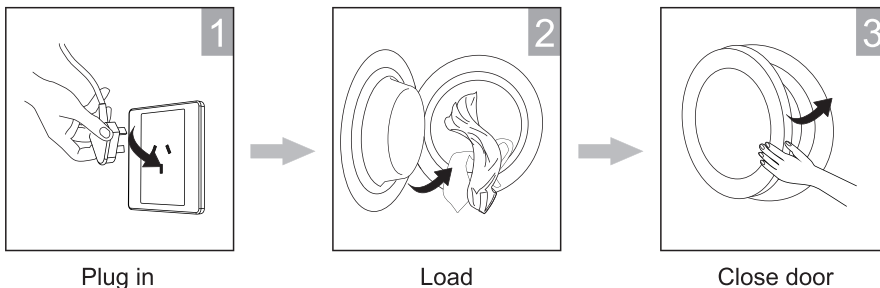
4. Getting Started

4.1 Quick start guide

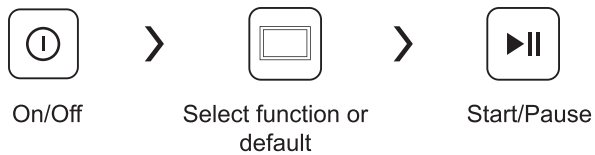
This pictorial quick start guide only contains basic information. For detailed operating instructions, read the corresponding content on the following pages of the manual.

CAUTION! Ensure the appliance is properly and securely installed before using it.

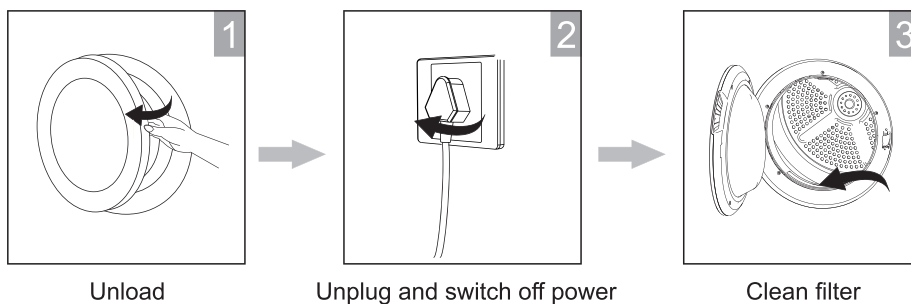
Preparation



Drying



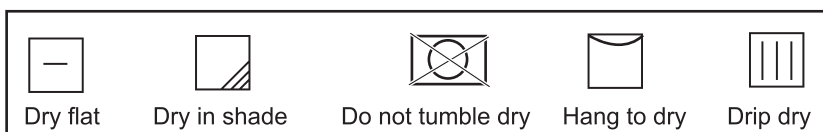
After drying











5. Product Use

5.1 Before each dry

- Ensure you have read all safety precautions in this manual and are aware of items (listed on page 5) that may cause a hazard if placed in the appliance.
- This appliance is intended only for drying textile material that has been washed in water and spin-dried properly. Thoroughly spin the laundry in your washing machine on a high spin speed to reduce drying time and energy consumption.
- Ensure the lint filter is clean and installed properly.
- Check and ensure that none of the items to be dried have the following symbols on them. These symbols indicate that the item is UNSUITABLE for drying:

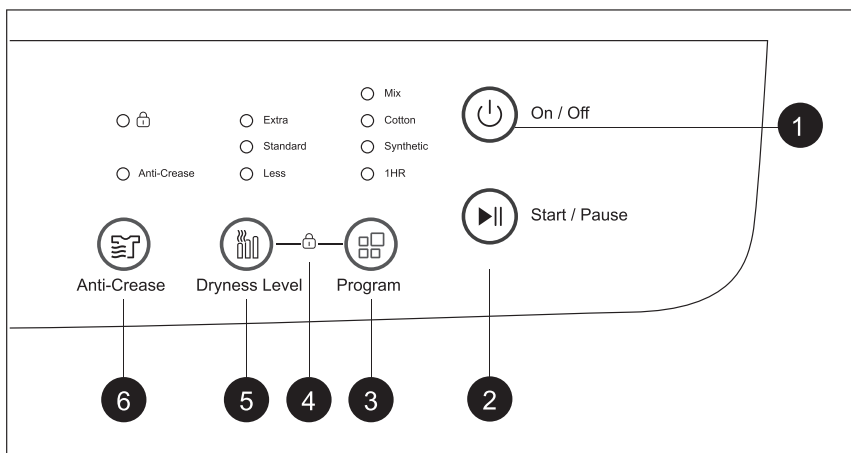


- As dryer heat may permanently lock in stains, check that the items are clean and free of stains.
- For uniform results, sort the laundry according to fabric type and drying program. Separate dark and light coloured items as you would before a wash.
- Ensure that the items to be dried do not have combustible materials or external objects (such as lighters, hair pins, coins, etc.) inside their pockets.
- Turn items with zippers inside out; close zippers, hooks, and eyelets; fasten buckles and tie fabric belts. This helps reduce noise made when these items hit the turning drum.
- Place small, delicate items in a mesh bag, taking care not to add too many to a single bag. (we do not recommend drying underwire bras in a clothes dryer.)
- We recommend placing items in the appliance one at a time to items tangling, causing uneven drying results.
- When closing the appliance door prior to starting a program, ensure that items have not become jammed in the door.
- **CAUTION:** Do not overload the appliance: the maximum capacity of dry textile material for one load is 7kg (see the table below for reference weights).

 Single bedsheet (about 600g cotton)	 Jeans (about 800g)	 Sleepwear (about 200g)	 Long sleeve shirt (about 300g cotton)
 Short sleeve shirt (about 180g cotton)	 Underwear (about 70g cotton)	 Socks (about 50g mixed weave)	 Jacket (about 800g cotton)

5.2 Control panel

The control panel at the front of the appliance has easy to use press buttons and indicator lights for the selected programs, dryness level, child safety lock, and anti-creasing functions.



1. On/Off button

Press to turn the appliance on or off.

2. START/PAUSE button

Press to start or pause the drying cycle.

3. PROGRAM button

Press repeatedly to cycle between the following drying programs: Mix, Cotton, Synthetic, 1 Hour. The selected program will be displayed above.

4. CHILD SAFETY LOCK

The child safety lock function can be set after pressing the START/PAUSE button while the appliance is running.

- Press and hold the PROGRAM and DRYNESS LEVEL buttons for more than 3 seconds to lock all buttons (except On/Off).
- To remove child safety lock, press and hold the PROGRAM and DRYNESS LEVEL buttons for more than 3 seconds.

5. DRYNESS LEVEL button

Press repeatedly to cycle between the following dryness levels: Extra Dry, Normal, Light Dry. The selected program will be displayed above.

6. ANTI-CREASE button

Press to activate the appliance's anti-crease function. After your selected drying program finishes, the appliance will continue rotating the drum (without heat) for a maximum of 2 hours (or until the door is opened) to help minimise load creasing.

5.3 Drying programs

The drying programs automatically sense the moisture of the load and adjust the dry time according to the dryness level selected.

Thoroughly spin the laundry in your washing machine on high spin speed before drying in the appliance.

Program	Textiles to be dried *	Capacity (kg)	Dryness level
Cotton #	Cotton	7	Extra Dry
Cotton		7	Normal
Cotton		7	Light Dry
Mix	Blended fabrics	3.5	Extra Dry
		3.5	Normal
Synthetic	Synthetics	3.5	Extra Dry
		3.5	Normal
1 Hour	Cotton	1 (or less)	n/a

Notes:

* Always check your item labels for recommended dry times and temperatures.

The Cotton program and Extra Dry level were used for testing appliance standards.

n/a Dryness level cannot be set in the 1 Hour program.

Cotton: Use this program for cotton towels, sheets, pillowcases, quilt covers, etc. Choose Extra Dry for a full dry, or Normal/Light Dry if you prefer to retain some residual moisture to help with ironing.

Mix: Use this program for mixed loads containing items made from cotton and other materials (e.g. polyester cotton shirts or easy iron clothing). The “Extra Dry” and “Normal” dryness levels are available in these programs.

Synthetic: Use this program for synthetic items. The “Extra Dry” and “Normal” dryness levels are available in these programs.

1 Hour: Use this program for smaller loads of cotton items. A dryness level cannot be selected for this program.

NOTE: If your load is not dry enough at the end of the program, select a higher dryness level for the next cycle.

5.4 Using the appliance

- **Connect:** Make sure the appliance is properly installed, plugged in, and has a proper power supply. Next, press the On/Off button on the control panel.
- **Load:** Open the door and load the appliance while following the guidelines on page 15.
 - The total weight of the load to be dried should not exceed the appliance’s rated drying capacity of 7kg.
 - Textiles made of wool or silk are NOT suitable for drying.
 - Items must be properly spin dried on high speed before drying in the appliance. Next, close the door while ensuring no items were caught inside.

- **Program selection:** Select your desired program, dryness level, and the anti-crease function (if desired), then press the START/PAUSE button to start the program. Do not dry items for longer than required. Over-dried clothes may easily crease.
- **Door opening:** While you may open the door during operation to add in items, we recommend you do NOT until the program has finished to avoid burns, as parts of the appliance will be hot during operation. If the door is opened during operation, the appliance will automatically stop. To restart the appliance, you must close the door securely and press START/PAUSE.
- **Cool down:** To help prevent creasing and cool dried items, the motor will generate cool air for the last 3 minutes of the program (last 10 minutes for the 1 Hour program).
- **End of program:** A buzzer will alert you that the program has completed. Press the On/Off button and unplug the appliance from its power supply.
- **Unload:** One or two minutes after the program has completed and the appliance has stopped operation, take out the dried items.
- **After use:** Clean the lint filter after every use. For cleaning instructions, refer to page 24.

CAUTION! - **CAUTION: HOT SURFACE!** To avoid burns and fire risks, do not stop the appliance before the end of its drying cycle, as parts of the appliance get hot during use.

- If you must remove items during the drying cycle, open the door, remove them quickly, and spread them out so that heat properly dissipates.
- Do not use any combustible substances (e.g. spray cans) close to the dryer while it is in operation. If gas escapes from a can, do not touch the plug or start/pause the appliance.

6. Troubleshooting

6.1 Troubleshooting guide

If the appliance is faulty, is not working properly, or you believe it is faulty, use the list below to identify and solve any problems. If you cannot solve the problem, please contact our after sales support centre. Do not attempt to dismantle or repair the dryer yourself.

Problem	Possible cause	Solution
The appliance does not start	Is there a power failure? Is the power plug inserted firmly? Is the door closed? Is the power switched on at the wall socket? Is your dry load too large?	Check and try again when power is restored. Insert the power plug firmly. Close the door securely. Switch on power at the wall socket. The appliance has a load capacity of 7kg properly spin dried items.
The appliance is hot or "smells hot"	Is the lint filter dirty? Is the front vent flange dirty? Is the ventilation grille dirty?	Check and clean the filter. Check and clean the front vent. Check and clean the ventilation grille at the back of the appliance.
The appliance has shrunk some items	Are the items unsuitable for the appliance? Have the items been dried at an excessive temperature?	Check the item labels and hang dry if recommended. If the items are suitable for tumble drying, select a different program and Light Dry.
The laundry was not thoroughly dried	Is the lint filter clogged? Is there too much laundry in the appliance? Have items been added while the appliance was in operation? Was the laundry twisted while drying? Is the appliance operating in a small and poorly ventilated area?	Check and clean the lint filter. Reduce the amount of laundry in the appliance. Dry the damp items again for a little longer. Untwist the items and dry them for a little longer. Install the appliance in a well-ventilated area.
The appliance is making strange noises.	Steam generated from heavy wet clothes during the dry process can cause bumping noises when the drum is turning.	These noises are normal. Make sure your dry load is properly spin dried to limit the noises.

6.2 Safety reset

The appliance has a safety cut-off switch that shuts down the appliance's power supply if the temperature is too high. Should this happen, proceed as follows:

- Unplug the appliance and allow it to cool for 10 minutes.
- Reset the safety cut-off switch located at the back panel of the appliance (Fig. 14-A).
- Check and ensure that the lint filter is clean and that nothing is obstructing the air intake and outlet grilles (see "Preventing overheating").
- Plug in the appliance and restart it.

If the appliance is still not working properly or a problem recurs, please contact our after sales support centre or a qualified service technician.

Preventing overheating

- The most common cause of overheating is a blocked lint filter (Fig. 15-A). Check the filter and make sure that nothing is blocking it – for example, a lightweight item such as a handkerchief might have been sucked over the filter. Clean the filter after each drying cycle. For cleaning instructions, check the next page.
- Ensure that the front vent flange (Fig. 15-B) and the ventilation grille at the back of the appliance (Fig. 14-B) are clean and free of obstructions. Use a cloth, soft brush, or a vacuum brush attachment to clean the grilles.
- Other causes for overheating include poor laundry ventilation – make sure you have a window or door open when using the appliance.

Fig. 14

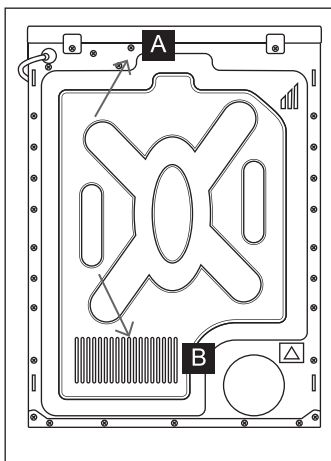
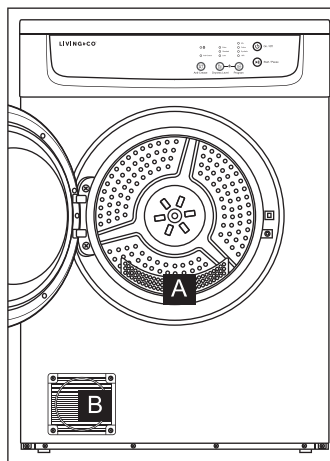


Fig. 15



7. Care and Cleaning

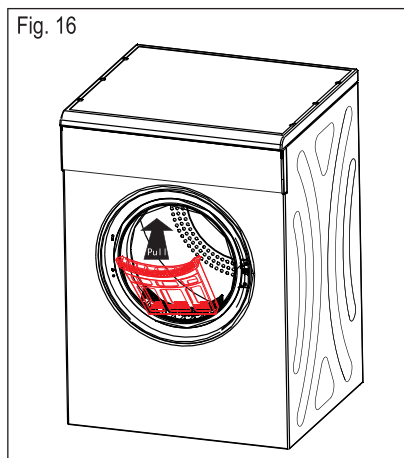
7.1 Cleaning and Maintenance

- WARNING!**
- Before cleaning or maintenance, unplug the appliance from the wall socket.
 - The lint filter must be in place when drying and cleaned before or after each use.

Keeping the appliance in good, clean condition will prolong its service life.

Cleaning the lint filter

- Before cleaning the appliance or any of its parts, make sure it has cooled down and is safe to touch.
- To remove the filter, open the appliance door, grip the filter, and pull it straight up and out of the drum (Fig. 16).
- To clean the filter, wipe it with a soft damp cloth, or wash it gently under running water.
- Let the filter dry completely before reinstalling it. Press down gently to secure it into place.



Cleaning the cabinet and drum

- Use a soft dry or damp cloth to wipe the appliance cabinet and/or drum, if necessary.
- If you use a damp cloth, make sure it is not too wet. Leave the appliance door open after cleaning to ensure the drum can air dry completely.
- Do not use any type of spray cleaner to clean interior. If the drum becomes stained, clean it with a damp cloth. If cleaning has left any residue on the drum, make sure to remove it before drying the next load.
- Use a dry cloth, soft brush, or a vacuum soft brush attachment to clean the areas around the air intake and exhaust opening. It is important that they are kept clean and free from lint, dust, and dirt. Any obstructions around the exhaust opening might reduce airflow and/or lead to overheating of the appliance.

- WARNING!**
- Never wash the exterior or interior of the appliance directly with water.
 - Do not use solvents, thinner, alcohol based, harsh, or abrasive cleaners on any of the appliance surfaces.

7.2 Storage

If you are not going to use the appliance for an extended period of time, unplug it and store it upright its original packaging to protect it from dust. Store the appliance in a dry location, out of the reach of children. Do not place any heavy items on top of appliance during storage as this may result in damage.

7.3 Service and Repair

If the appliance is damaged, do not attempt to repair it yourself. Contact our after sales support centre to arrange for examination or repair of the appliance. Before contacting after sales service, ensure that the appliance is properly plugged in and that both the outlet and the circuit breaker or fuse are working properly. If the power cord is damaged and needs replacing, it must be replaced by a service agent or equivalent qualified specialist in order to prevent hazards.

8. Technical Data

Product	LIVING & CO 7kg Clothes Dryer
Model Number	MDR70-VR031/A0405-AU18-P1
Rated capacity	7kg
Voltage & Frequency	220-240V~ 50Hz
Rated Power	2000W
Motor Input Power	200W
Heating Power	1800W
Ingress Protection	IPX4
Ambient temperature	5°C-35°C
Dimensions	595 (W) x 555 (D) x 840 (H) mm
Net Weight	approx. 35kg

9. Notice

9.1 Compliance

This product has been fully tested and meets all requirements as set out by standards AS/NZS 60335.1 and AS/NZS 60335.2.11.



The RCM Mark (Regulatory Compliance Mark) indicates that the product complies with the relevant guidelines of the ACMA as well as corresponding government requirements for the safety of electrical devices.

9.2 Responsible Disposal

At the end of its working life, do not throw this appliance out with your household rubbish. Electrical and electronic products contain substances that can have a detrimental effect on the environment and human health if disposed of inappropriately. Observe any local regulations regarding the disposal of electrical consumer goods. Dispose of the appliance appropriately for recycling. Contact your local authorities for information on recycling facilities in your area.



LIVING & CO[®]

Warranty

We pride ourselves on producing a range of quality products that are both packed with features and completely reliable. We are so confident in our products, we back them up with a two years warranty. Now you too can relax knowing that you are covered.

Customer Helpline NZ: 0800 422 274
This product is covered by two years warranty
when accompanied by proof of purchase.

IM-V2.0 July 2020

AFTER SALES SUPPORT
  0800 422 274